

Air operated Pinch Valves type VT

Aluminium design with semi-silo trailer connection acc. to DIN28459



- Free passage
- Optimum tightness
- Low resistance
- No plugging
- Low weight
- Easy maintenance

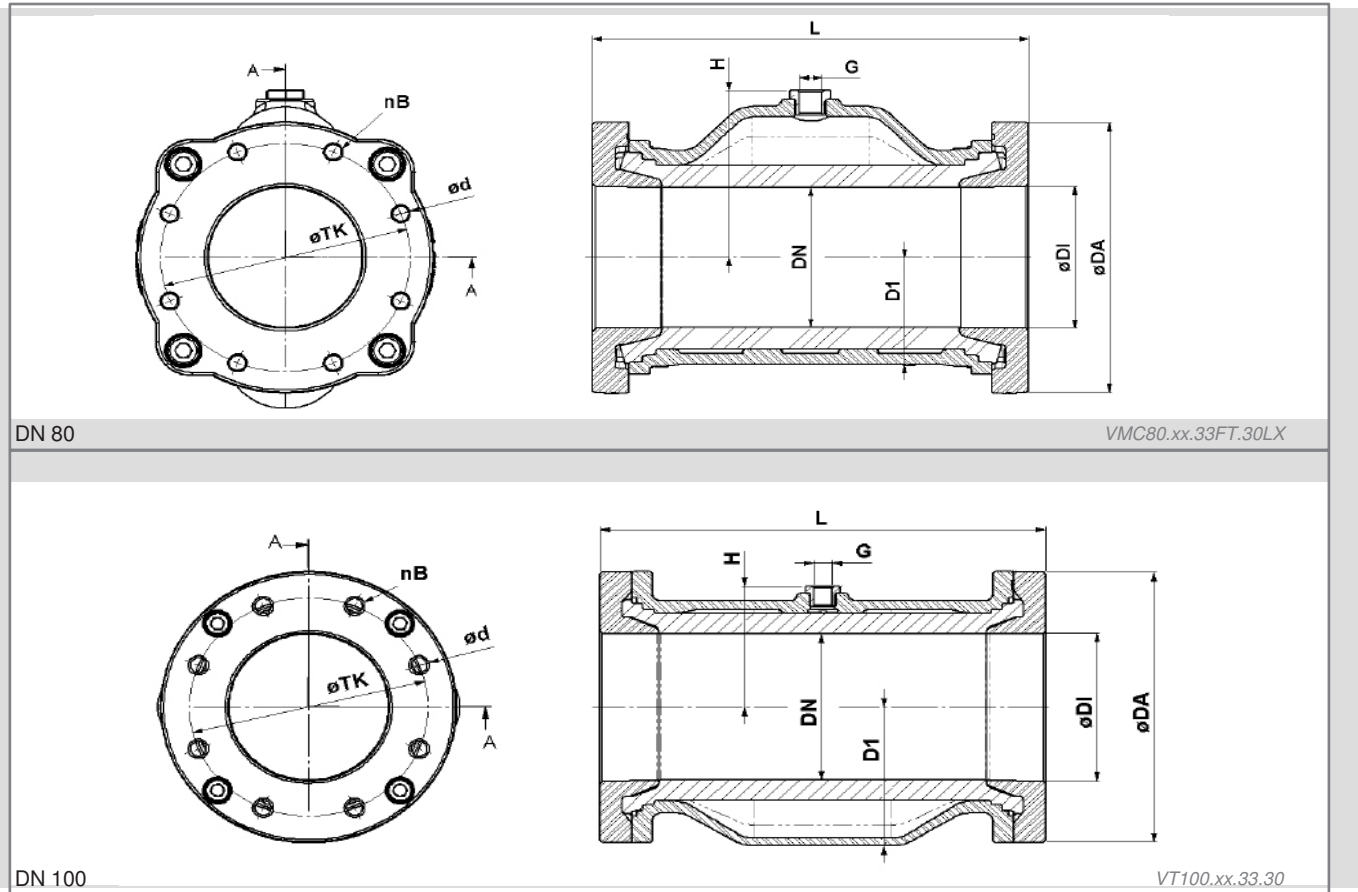
 The ideal valve solution for abrasive, corrosive and fibrous products like granules, powders, solids of all kinds and so on.

Industrial areas:

- Silo-trailers
- Semi-trailers
- Haul trucks



Air operated Pinch Valves type VT



DN/DI (mm, [inch])	DA (mm)	D1 (mm)	d (mm)	nB	screws	TK (mm)	L (mm)	H (mm)	G (inch)	PS max (bar, [psi])	weight (kg)	Volume (l)* (approx)
80 [3]	154,5	80	M10x1,5	8	4	130	227	95	G 1/4"	6 [90]	4,1	0,88
100 [4]	185	100	M12x1,75	8	4	150	280	83	G 1/4"	6 [90]	6,1	1,5

Volume = Control volume with closed sleeve

Materials:

Valve body: Aluminium unpainted, (DN80 painted)

Flange: Aluminium unpainted

Sleeves:

Natural rubber (NR) anti-abrasive, NR food quality, NR high temp., NBR, NBR food quality, EPDM, EPDM food quality, CR, IIR, CSM

Accessories:

Solenoid valves, pressure switch, safety arrangement, vacuum unit etc.

*Pinch Valve Accessories to be found on our data sheet
"Z01"-Pinch Valve Accessories.*

Technical details subject to change without notice.



Basecamp Process Components, LLC

8055-C Corporate Blvd., Plain City, Ohio 43064, USA

T: +1 614-873-8995 • E-mail: info@akopinchvalves.com • Web: www.akopinchvalves.com