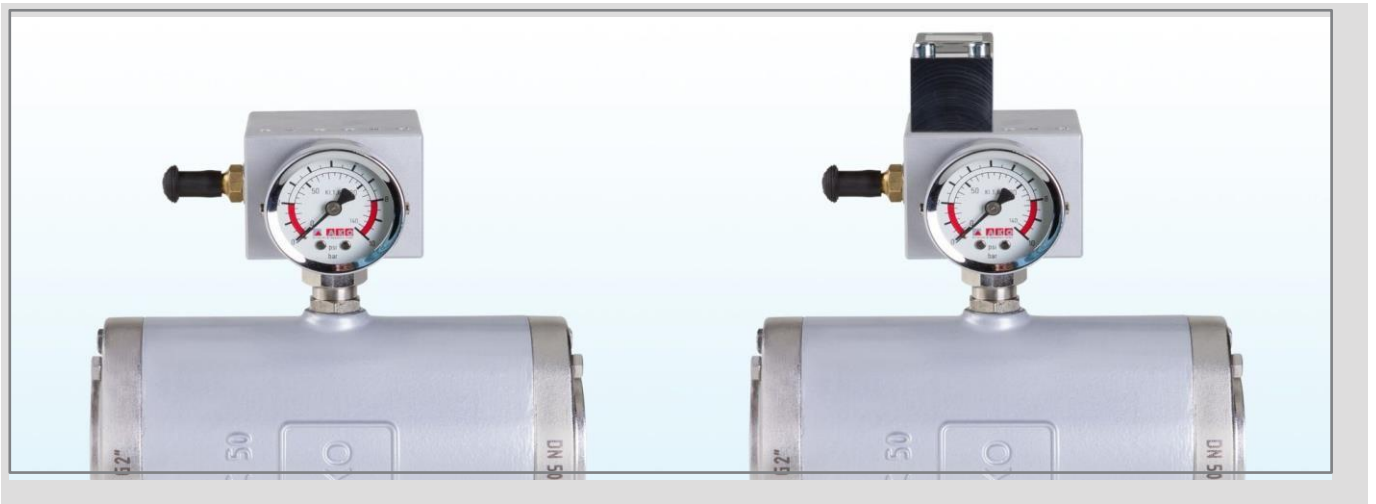



Pressure Relief Valve type LV/ LNV



 **The safe and economic solution to protect your pump and plant against overpressure.**

The Air operated Pinch Valve will be pressurized through the pressure relief section by a minimum differential pressure of 2 bar air supply over medium pressure. When the medium pressure in the pipe-line increases, the Pinch Valve start to open and the overpressure passes trough the bypass and the Pinch Valve.

The rising and falling pressures can be controlled over pressure switches.

Technical details subject to change without notice.



Basecamp Process Components, LLC

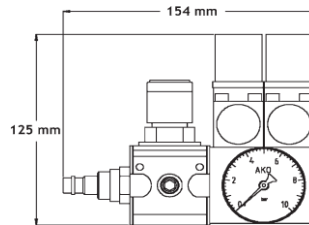
7685-A Corporate Blvd., Plain City, Ohio 43064, USA

T: +1 614-873-8995 • E-mail: info@akopinchvalves.com • Web: www.akopinchvalves.com

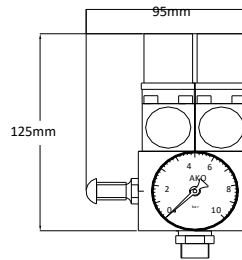
Pressure Relief Valve type LV/ LNV

Options:

Type LV if control air is available
(incl. pressure gauge) and 2 pressure switches.



Type LNV if control air is not available



The valve unit consists either of an air operated pinch valve plus relief section or to be used as an addition on existing pinchvalves.

Additional information upon request.

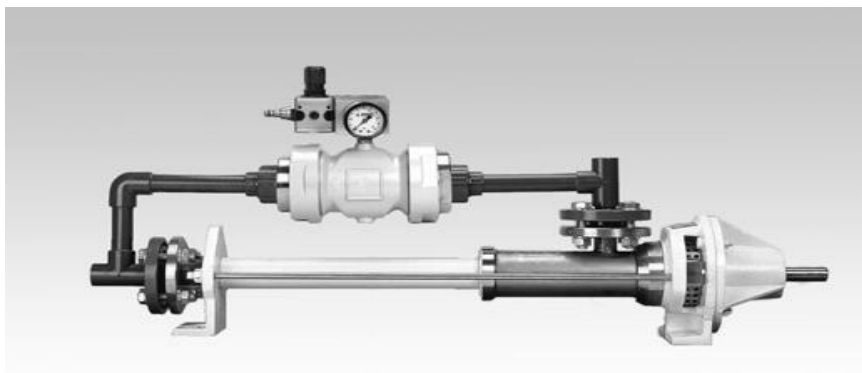
Accessories:

For type LNV a handpump is available for an independent use from any air supply (compressor).



Industrial areas:

- Chemical-
- Food-
- Beverage-
- Pharmaceutical-
- Paper-
- Water-
- Ceramics-
- Plastic-
- Cement-
- Motar industry and many others



Technical details subject to change without notice.



Basecamp Process Components, LLC

7685-A Corporate Blvd., Plain City, Ohio 43064, USA

T: +1 614-873-8995 • E-mail: info@akopinervalves.com • Web: www.akopinervalves.com