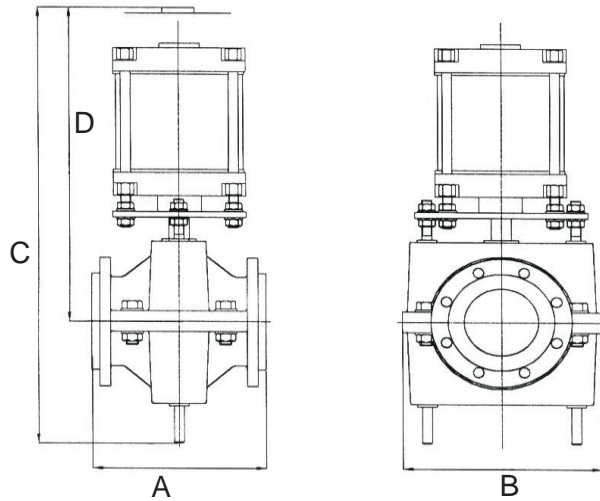


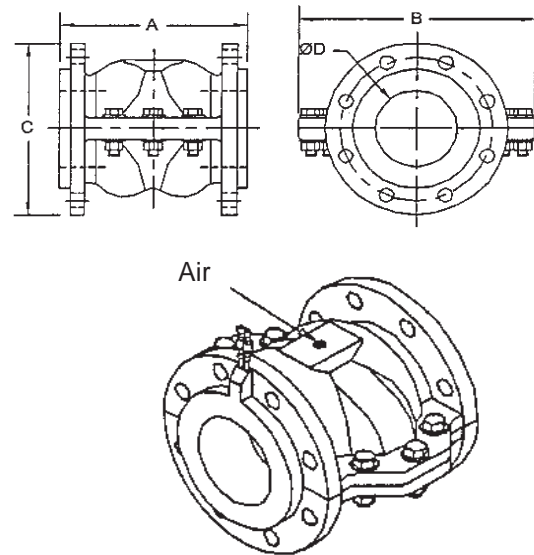
PNEUMATIC PINCH VALVES TYPE RV



DN / Di (mm,[inch])	A	B	C	D
25 [1"]	127	182	415	313
32 [1 ¼"]	140	195	438	325
40 [1 ½"]	165	205	469	350
50 [2"]	178	242	543	412
65 [2 ½"]	190	248	586	443
80 [3"]	203	282	603	439
100 [4"]	300	316	737	532
150 [6"]	325	342	730	537
175 [7"]	350	400	958	698
200 [8"]	400	516	1263	932
250 [10"]	450	580	1680	1308
300 [12"]	500	720	2141	1699

- Standard dimensions shown in table above. Changes possible depending on valve configurations.
- DN 350 up to DN 1000 and other configurations upon request.
- Min. control pressure to operate the valve = 6 bar (90psi), other pressures upon request.

PNEUMATIC PINCH VALVES TYPE RVA



DN / Di (mm,[inch])	A	B	C	ØD
25 [1"]	128	128	115	25
32 [1 ¼"]	165	150	150	40
40 [1 ½"]	178	183	165	50
50 [2"]	190	194	185	65
65 [2 ½"]	203	258	200	80
80 [3"]	229	295	220	100
100 [4"]	254	312	250	125
150 [6"]	350	385	285	150
175 [7"]	457	484	340	200
200 [8"]	533	618	395	250
250 [10"]	610	718	460	300
350 [12"]	686	681	709	350

- By using air/fluid (differential pressure Δp 2-3 bar/30-45psi) supplied to the valve body the valve will be closed.

HIGH PERFORMANCE PINCH VALVES

TYPE RV



PROPERTIES

Dimension: DN 25 - 1200 mm
 Installation length: DIN, ASME, ISO
 Media pressure: 1 - 40 bar, 15-600psi
 Open/close valves
 Control valves (electrical/electro pneumatical)
 Stop valves

BRANCHES OF INDUSTRY

Paper and pulp, waste water
 chemical industry
 pigments and fillers

DESIGN FEATURES

Full passage
 Both sides leak-tight
 Low pressure loss
 No accretion
 Easy maintenance
 Integrated flange sealing

Glass and ceramics industry
 pneumatic conveying systems
 ash, fly ash...

Technical details subject to change without notice.



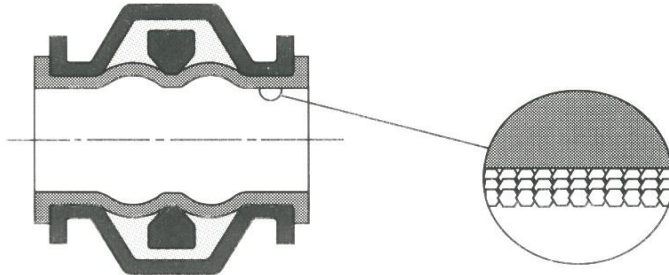
Basecamp Process Components, LLC

7685-A Corporate Blvd., Plain City, Ohio 43064, USA

T: +1 614-873-8995 • E-mail: info@akopinvalves.com • Web: www.akopinvalves.com

SMOOTH FUNCTION

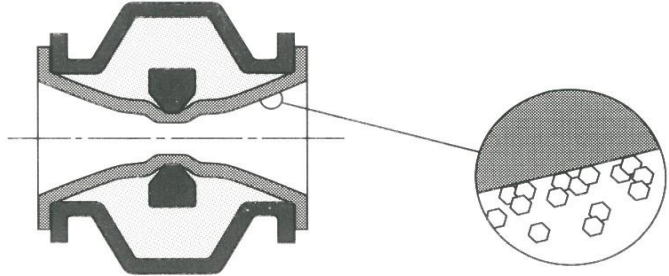
VALVE OPEN



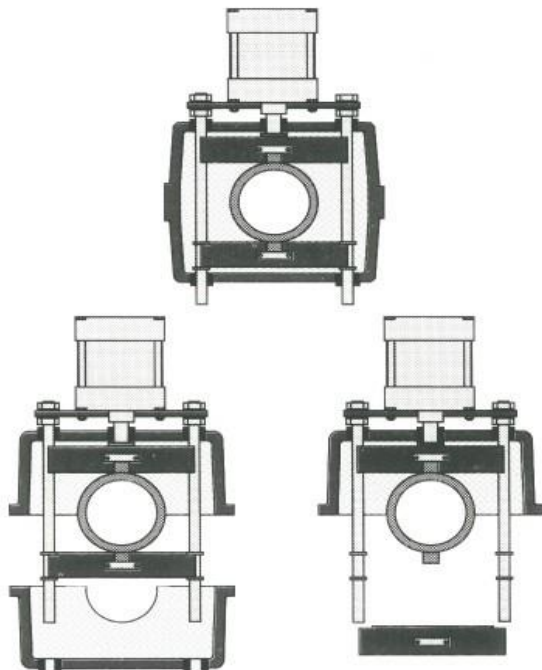
ADVANTAGES

- No plugging
- Beginning incrustations are released by opening and closing from the wall of the sleeve and removed by the flowing medium
- Various installation lengths acc. to DIN, ISO, ASME

VALVE BEING CLOSED



EASY MAINTENANCE



SLEEVE EXCHANGE

- Sleeve can be changed easily by loosening the lower valve body (binding screws)
- Easily done directly on location without removing the valve from the line
- No special tools and no preparation of sealing surface required (basic version).

Technical details subject to change without notice.

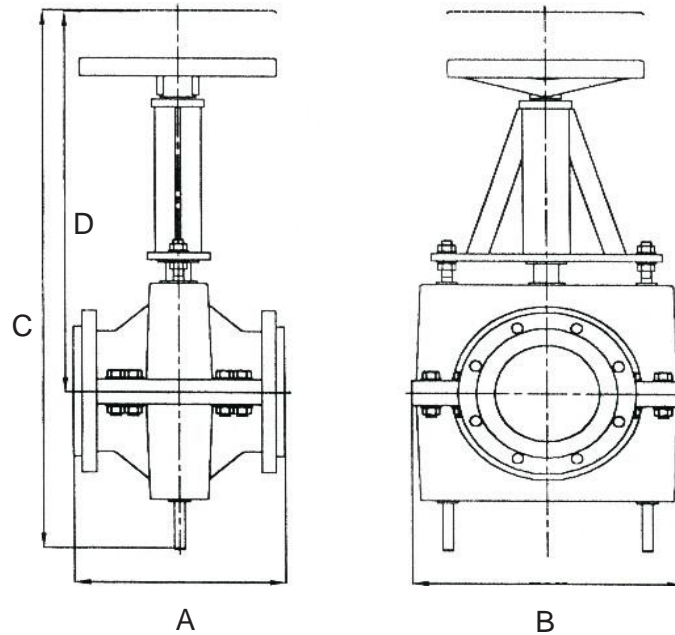


Basecamp Process Components, LLC

7685-A Corporate Blvd., Plain City, Ohio 43064, USA

T: +1 614-873-8995 • E-mail: info@akopinvalves.com • Web: www.akopinvalves.com

HANDWHEEL PINCH VALVES TYPE RV



DN / Di (mm,[inch])	A	B	C	D
25 [1"]	127	182	369	268
32 [1 ¼"]	140	195	394	282
40 [1 ½"]	165	205	417	299
50 [2"]	178	242	476	345
65 [2 ½"]	190	248	511	366
80 [3"]	203	282	561	398
100 [4"]	300	316	690	489
150 [6"]	325	342	785	558
175 [7"]	350	400	923	658
200 [8"]	400	516	1131	799
250 [10"]	450	580	1280	890
300 [12"]	500	720	1480	1030

- Standard dimensions shown in table above. Changes possible depending on valve configurations.
- DN 350 up to DN 1000 and other configurations upon request.

Technical details subject to change without notice.



Basecamp Process Components, LLC

7685-A Corporate Blvd., Plain City, Ohio 43064, USA

T: +1 614-873-8995 • E-mail: info@akopinvalves.com • Web: www.akopinvalves.com