

Pneumatic Solenoid Valves



Model	C-16704	C-16705	C-16840	C-16738	C-16739	C-16839
Position and Way	3/2					
State	Normally Closed			Normally Open		
Voltage	110 VAC	24 VDC	24 VAC	110 VAC	24 VDC	24 VAC
Effective Area	25mm ² (CV=1.40)					
Port	Air inlet=Air outlet=Exhaust= 1/4" NPT					
Fluid	40 micron filtered air					
Operating Pressure	20-120 psi					
Max. Pressure	175 psi					
Temperature	40 - 120°F					
Allowable Voltage	± 10% of rated voltage					
Power Consumption	AC: 4.5VA DC: 3W					
Coil Insulation & Protection Grade	Class F.IP65					
Highest Action Frequency	5 cycles/second					
Shortest Excitation Time	0.05 second					

Model	C-16707	C-16708	C-16841
Position and Way	5/2		
Voltage	110 VAC	24 VDV	24 VAC
Port Size	1/4" NPT	1/4" NPT	1/4" NPT

Technical details subject to change without notice.



Basecamp Process Components, LLC

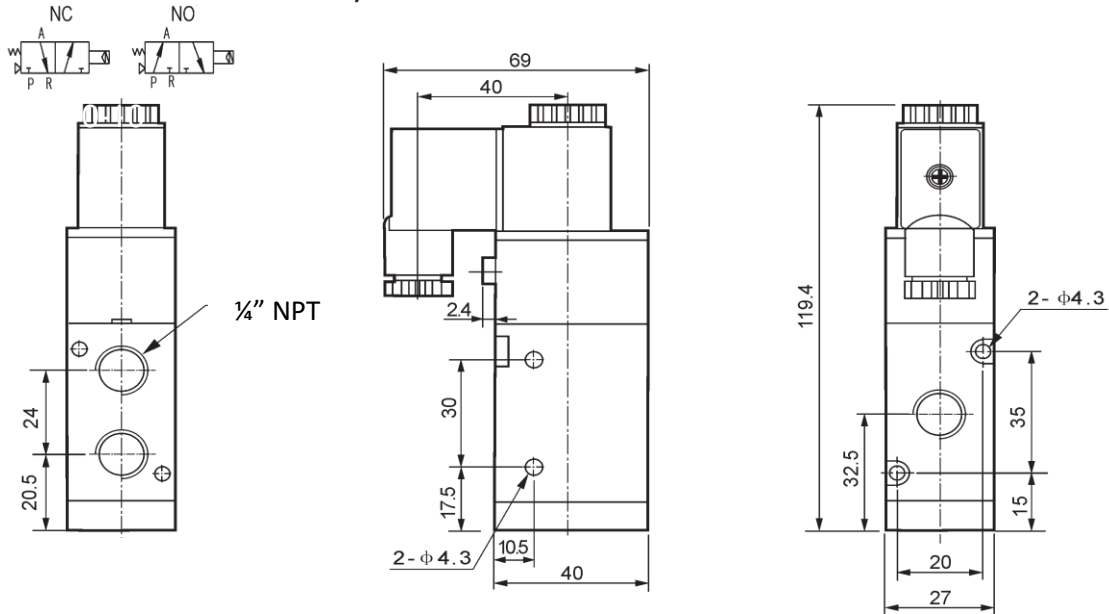
7685-A Corporate Blvd., Plain City, Ohio 43064, USA

T: +1 614-873-8995 • E-mail: info@akopinervalves.com • Web: www.akopinervalves.com

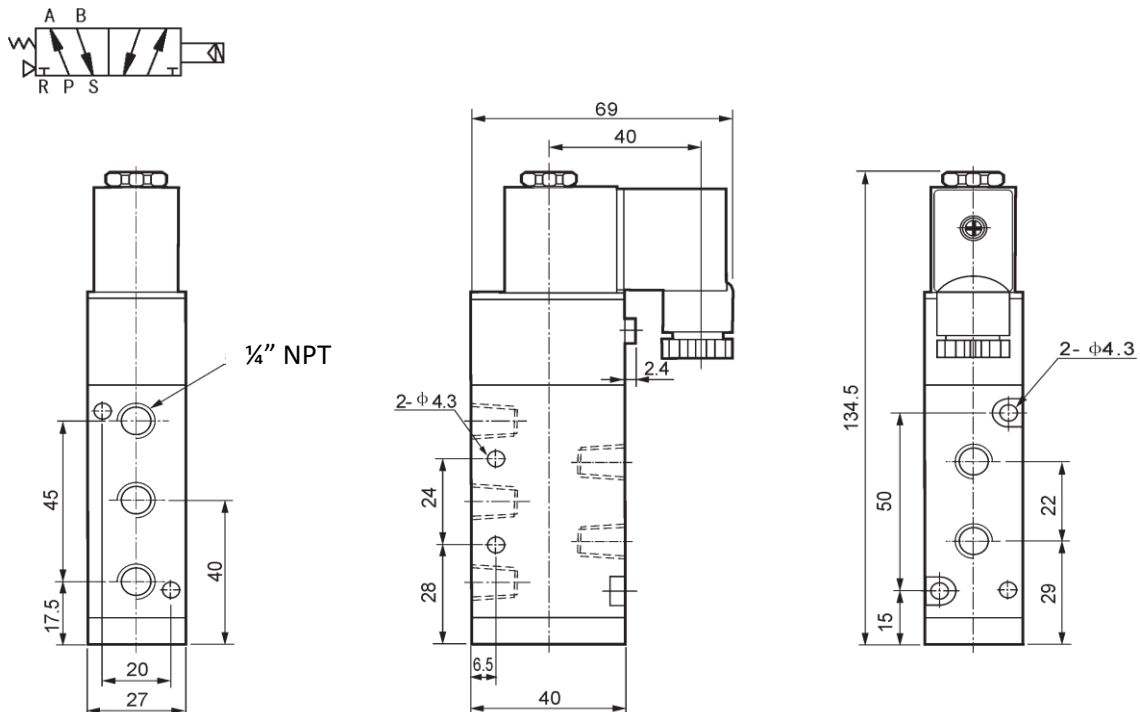
Pneumatic Solenoid Valves

Dimensions

3/2 Solenoids



5/2 Solenoids



Technical details subject to change without notice.



Basecamp Process Components, LLC

7685-A Corporate Blvd., Plain City, Ohio 43064, USA

T: +1 614-873-8995 • E-mail: info@akopinervalves.com • Web: www.akopinervalves.com