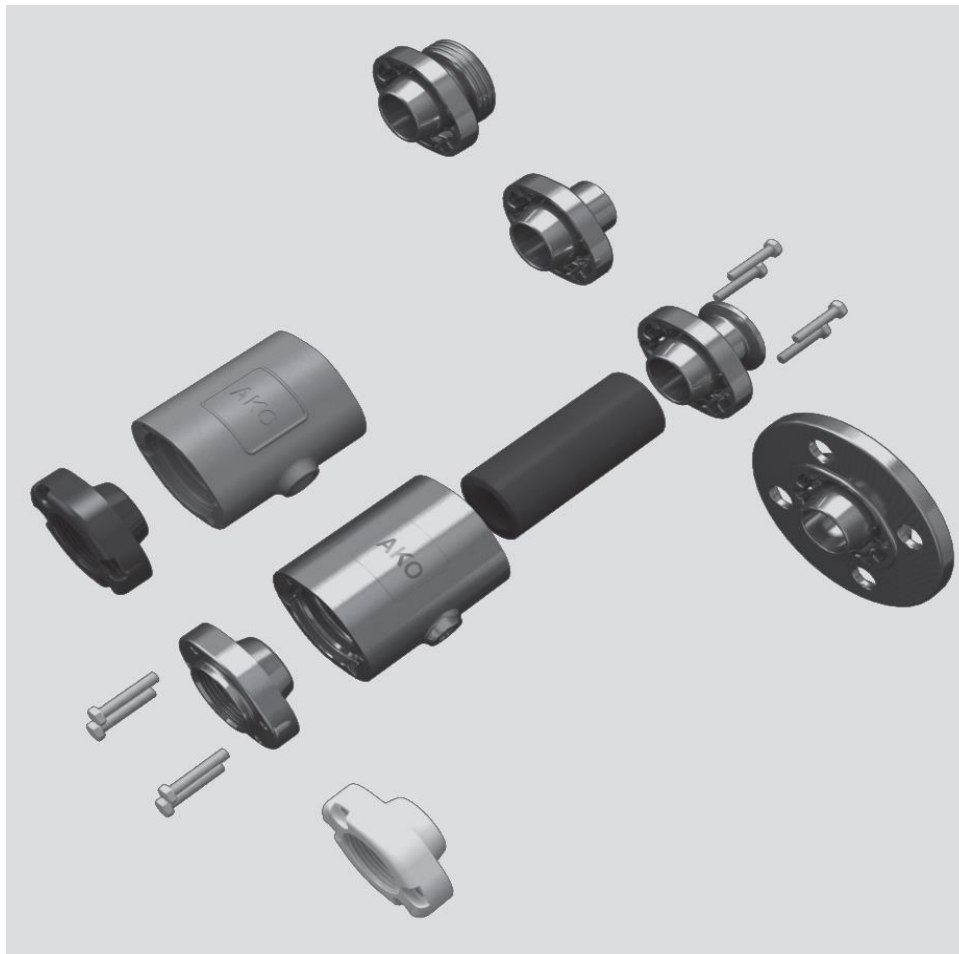


**New!**

## Air operated Pinch Valve type VMC



Flange



Internal Thread



Tri-Clamp



Weld-on ends



Threaded spigot

**▲ The flexible modular system for detachable and aseptic piping connections!**

The ideal solution for isolation and regulation of solids of all kinds, suspensions, pastes, gaseous, fibrous and viscous media.

### Advantages:

- Flexible modular system
- Various connection options
- Extremely compact
- Light weight
- Complete free passage
- No dead spots
- Easy maintenance and re-sleeving
- 100% tight shut off
- Competitive



## Air operated Pinch Valve type VMC

### Industrial areas:

- Food/ pharmaceutical/ beverage industry
- Chemical industry
- Pneumatic conveying systems
- Pigments and granules
- Ceramics/ glass/ plastic industry
- Extraction systems
- Dosing systems
- Filling and weighing systems
- Air venting systems
- Etc.

### Connection options:

[Flange Connection](#)

[Internal Thread Connection G / NPT](#)

[Tri-Clamp](#)

[Weld-on ends](#)

[Threaded spigot \(RJT Connection\)](#)

[Threaded hose nozzle Connection](#)

Aseptic /Hygienic Connection



Special, conductive models with a separate grounding system, suitable for use in areas at risk of explosions (EX) in zones 1, 2, 21 and 22, are also available.

**The air operated Pinch Valves of VMC series fulfill all requirements of the Pressure Equipment Directive 97/23/EC.**

### Body:

Stainless steel 1.4408

Aluminium AISi10Mg

Plastic POM

### Socket Connection:

Stainless steel 1.4404

Plastic POM

### Sleeves:

NR abrasion resistant, EPDM, NBR, CSM, CR, Silicone, FPM

Other materials on request.

### Sleeves (FDA approved)

NR food quality, EPDM food quality, NBR food quality

**Operating / medium pressure max.:** ~ 90 psi

**Differential pressure:** ~30-50psi

**Control / closing pressure max.:** 120 psi

varies depending on diameter / sleeve

Technical details subject to change without notice.

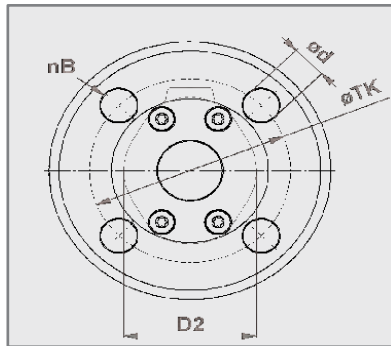


**Basecamp Process Components, LLC**

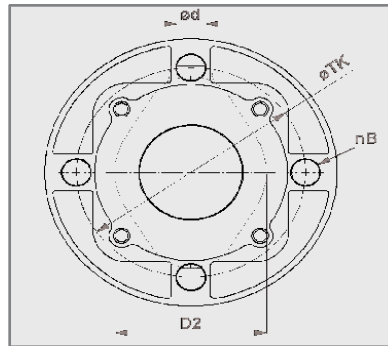
7685-A Corporate Blvd., Plain City, Ohio 43064, USA

T: +1 614-873-8995 • E-mail: [info@akopinervalves.com](mailto:info@akopinervalves.com) • Web: [www.akopinervalves.com](http://www.akopinervalves.com)

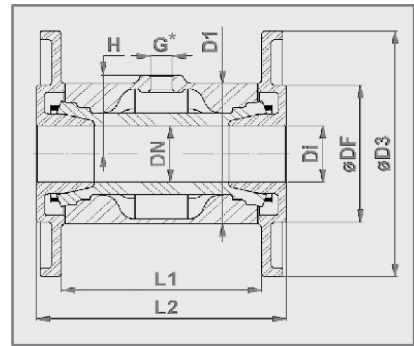
## Air operated Pinch Valve - Flange connection (F)



DN25 - DN50



DN65 - DN100



\* DIN EN ISO 228 "G"

### Connection type:

Flange connection according to DIN EN 1092-1 PN10/16,  
DIN 11853-2 (BF) / 11864-2 form A (BF) (L2a) on request.

### Body:

- Stainless steel 1.4408 (E)
- Aluminium AlSi10Mg (A)

### Flange:

- Stainless steel 1.4404 (E)



### Valve finish:

Stainless steel: Electropolished

Satin polished (brushed) Ra 0.3 on request.

Wetted parts = Ra 0.5

Aluminium: Powder coated 60-80µm RaL 9006

DN/Di (mm,[inch])	D1 (mm)	D2 (mm)	øD3 (mm)	øDF (mm)	*nB	ød (mm)	øTK (mm)	L1 (mm)	L2 (mm)	G (inch)	H (mm)	*vol.(l) (approx.)	weight (kg) (EE)	weight (kg) (AE)
25 [1"]	72	57	115	68	4	14	85	96	125	G 1/8"	36,5	0,09	2,4	1,9
32 [1 ¼"]	80	66	140	78	4	18	100	104	130	G 1/4"	45	0,13	2,9	2,3
40 [1 ½"]	90	77	150	88	4	18	110	119	155	G 1/4"	50	0,22	4,0	3,1
50 [2"]	110	88	165	106	4	18	125	149	185	G 1/4"	60	0,36	5,8	4,4
65 [2 ½"]	139	102	185	122	4	18	145	133	170	G 1/4"	73,5	0,44	5,7	4,9
80 [3"]	172	126	200	138	4	18	160	173	213	G 1/4"	90	0,88	7,6	6,5
100 [4"]	203	146	220	158	8	18	180	224	264	G 1/4"	107	1,80	12,2	-
125 [5"]	252	184	250	187	8	18	210	286	336	G 1/4"	130	2,70	26,2	-
150 [6"]	301	257	285	212	8	22	240	356	406	G 1/4"	155	6,96	37,1	-

\* Number of holes

† Volume = Control volume with closed sleeve

Technical details subject to change without notice.

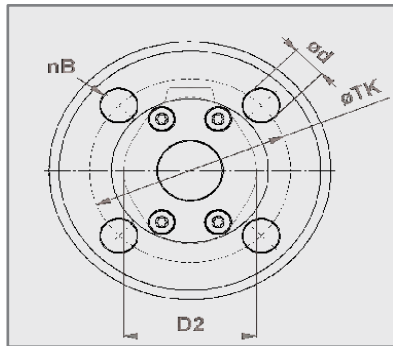


**Basecamp Process Components, LLC**

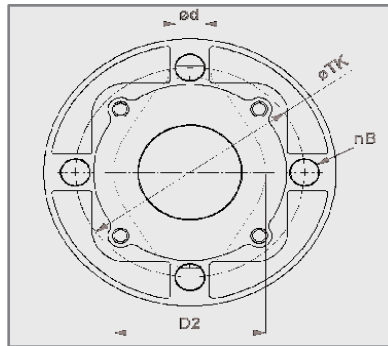
7685-A Corporate Blvd., Plain City, Ohio 43064, USA

T: +1 614-873-8995 • E-mail: [info@akopinchvalves.com](mailto:info@akopinchvalves.com) • Web: [www.akopinchvalves.com](http://www.akopinchvalves.com)

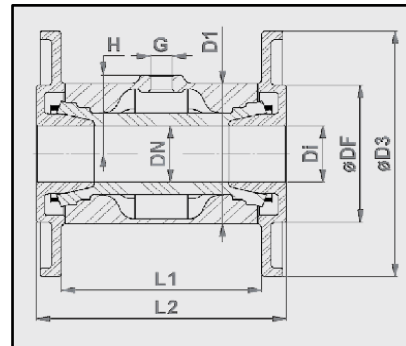
# Air operated Pinch Valve - Flange connection (FA)



DN40 - DN50



DN65 - DN100



\* ANSI/ASME B1.20.1 "NPT"

### Connection type:

Flange connection according to ANSI B 16.5 / 150lbs

### Body:

- Stainless steel 1.4408 (E)
- Aluminium AlSi10Mg (A)

### Flange:

- Stainless steel 1.4408 (E)
- Aluminium AlSi10Mg with steel bushing (A)



### Valve finish:

Stainless steel: Electropolished  
Wetted parts = Ra 0.5

Aluminium: Powder coated 60-80µm RaL 9006

DN/Di (mm,[inch])	Di (mm)	D1 (mm)	D2 (mm)	D3 (mm)	DF (mm)	nb	d (mm)	TK (mm)	L1 (mm)	L2 (mm) (EE/AE)	L2 (mm) (AA)	G (inch)	H (mm)	vol.(l) (approx.)	weight (kg) (EE)	weight (kg) (AE)	weight (kg) (AA)
40 [1 1/2"]	40,9	90	77	127	90	4	15,7	98,6	120	155	155	G 1/4"	50	0,22	3,4	2,5	2,0
50 [2"]	52,6	110	88	152,4	92	4	19,1	120,7	149	187	187	G 1/4"	60	0,36	5,3	3,9	3,2
65 [2 1/2"]	62,7	139	102	177,8	105	4	19,1	139,7	133	178	174	G 1/4"	73,5	0,44	5,9	5,3	3,7
80 [3"]	78	172	126	190,3	127	4	19,1	152,4	173	221	217	G 1/4"	90	0,88	8,1	7,1	4,8
100 [4"]	102,4	203	146	228,6	157	8	19,1	190,5	224	272	268	G 1/4"	107	1,80	13,4	9,3	7,4
125 [5"]	121,0	252	184	254,0	185	8	22,5	215,9	286	334	-	G 1/4"	130	2,7	25,0	-	-
150 [6"]	154,1	301	257	279,4	215	8	22,5	241,3	356	406,8	-	G 1/4"	155	6,95	36,5	-	-

<sup>1</sup>Number of holes

<sup>1</sup>Volume = Control volume with closed sleeve

Technical details subject to change without notice.

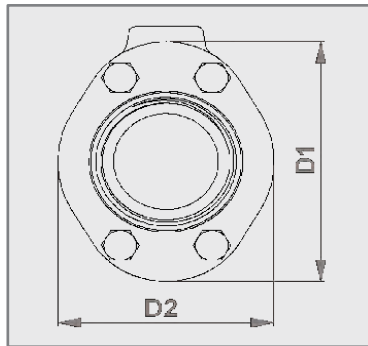


**Basecamp Process Components, LLC**

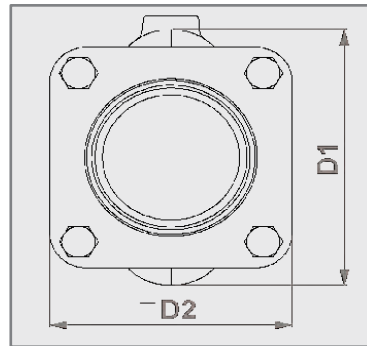
7685-A Corporate Blvd., Plain City, Ohio 43064, USA

T: +1 614-873-8995 • E-mail: [info@akopinvalves.com](mailto:info@akopinvalves.com) • Web: [www.akopinvalves.com](http://www.akopinvalves.com)

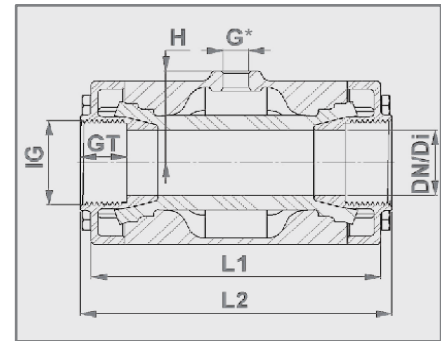
## Air operated Pinch Valve - Internal Thread connection (G/N)



DN10 - DN50



DN65 - DN100




\* DIN EN ISO 228 "G"


### Connection type:

Internal Thread Connection according to DIN EN ISO 228 "G" or ANSI/ASME B1.20.1 "NPT"

### Body:

- DN10-100: Stainless steel 1.4408 (E)
- DN20-100: Aluminium AlSi10Mg (A)
- DN10-15: Plastic POM natural white (P)
- DN10-15: Plastic POM conductive (P) 

### (Internal Thread) Socket ends:

- DN10-100: Stainless steel 1.4404 (E)
- DN20-50: Plastic POM natural white (P),  
FDA approved
- DN20-50: Plastic POM conductive (P)  
for hazardous areas 



### Valve finish:

Stainless steel: Electropolished

Aluminium: Powder coated 60-80µm RaL 9006

DN / Di (mm, [inch])	D1 (mm)	D2 (mm)	IG (inch)	GT (mm)	L1 (mm)	L2 (mm)	G (inch)	H (mm)	<sup>1</sup> Vol. (l) (approx)	weight (kg) (EE)	weight (kg) (AE)	weight (kg) (AP)	weight (kg) (PE)
10 [3/8"]	46	35	G <sup>3</sup> / <sub>8</sub> "	12	68	80	G 1/8"	23	0,03	0,5	-	-	0,2
15 [1/2"]	56	47	G <sup>1</sup> / <sub>2</sub> "	15	85	95	G 1/8"	28	0,05	0,8	-	-	0,3
20 [3/4"]	62	49	G <sup>3</sup> / <sub>4</sub> "	17	93	103	G 1/8"	31,5	0,07	0,9	0,5	0,4	-
25 [1"]	72	57	G1"	20	110	120	G 1/8"	36,5	0,09	1,3	0,8	0,5	-
32 [1 1/4"]	80	66	G1 1/4"	21	130	140	G 1/4"	45	0,13	1,7	1,1	0,7	-
40 [1 1/2"]	90	77	G1 1/2"	21	150	160	G 1/4"	50	0,22	2,4	1,5	1,1	-
50 [2"]	110	88	G2"	25	175	185	G 1/4"	60	0,36	3,6	2,2	1,6	-
65 [2 1/2"]	139	115	G2 1/2"	30	173	200	G 1/4"	73,5	0,44	4,1	3,3	-	-
80 [3"]	172	133	G3"	33	213	230	G 1/4"	90	0,88	5,8	4,7	-	-
100 [4"]	198	141	G4"	20	264	280	G 1/4"	107	1,80	9,0	6,9	-	-

<sup>1</sup> Volume = Control volume with closed sleeve

\* Alternatively available is our K-variant → length = 150mm

Technical details subject to change without notice.

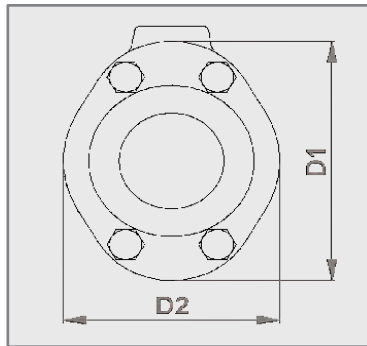


**Basecamp Process Components, LLC**

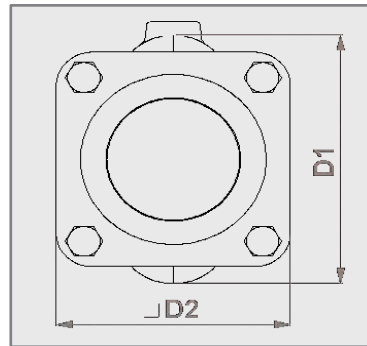
7685-A Corporate Blvd., Plain City, Ohio 43064, USA

T: +1 614-873-8995 • E-mail: [info@akopinvalves.com](mailto:info@akopinvalves.com) • Web: [www.akopinvalves.com](http://www.akopinvalves.com)

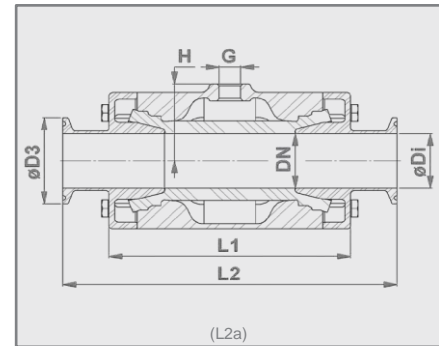
## Air operated Pinch Valve - Tri-Clamp connection (T)



DN10 - DN50



DN65 - DN100




\* DIN EN ISO 228 "G"

### Connection type:

Tri-Clamp according to DIN 32676 row A,  
DIN 11853-3 (BKS) / 11864-3 form A (BKS) (L2a) on request.

### Body:

- DN10-100: Stainless steel 1.4408 (E)
- DN20-100: Aluminium AlSi10Mg (A)
- DN10-15: Plastic POM natural white (P) 
- DN10-15: Plastic POM conductive (P)

### Tri-Clamp Connection:

- DN10-100: Stainless steel 1.4404 (E)



### Valve finish:

Stainless steel: Electropolished

Satin polished (brushed) Ra 0.3 on request.  
Wetted parts = Ra 0.5

Aluminium: Powder coated 60-80µm RaL 9006

### Valve face to face length:

DN10: Acc. to DIN EN 558 row 27  
DN15-50: Acc. to DIN EN 558 row 1  
DN 65-80: Acc. to DIN EN 558 row 7

DN / Di (mm,inch)	øDi (mm)	D1 (mm)	D2 (mm)	øD3 (mm)	L1 (mm)	L2 (mm)	L2a (mm)	G (inch)	H (mm)	<sup>1</sup> vol. (l) (approx.)	weight (kg) (EE)	weight (kg) (AE)	weight (kg) (PE)
10 [3/8"]	10	46	35	34	68	115	159	G 1/8"	23	0,03	0,5	-	0,3
15 [1/2"]	16	56	47	34	85	130	184	G 1/8"	28	0,05	0,9	-	0,4
20 [3/4"]	20	62	49	34	93	150	196	G 1/8"	31	0,07	1,0	0,6	-
25 [1"]	26	72	57	50,50	110	160	209	G 1/8"	36	0,09	1,5	1,0	-
32 [1 1/4"]	32	80	66	50,50	130	180	226	G 1/4"	45	0,13	1,9	1,3	-
40 [1 1/2"]	38	90	77	50,50	150	200	238	G 1/4"	50	0,22	2,6	1,7	-
50 [2"]	50	110	88	64	175	230	265	G 1/4"	60	0,36	3,9	2,5	-
65 [2 1/2"]	66	139	115	91	173	216	269	G 1/4"	73,5	0,44	4,3	3,6	-
80 [3"]	81	172	133	106	213	254	311	G 1/4"	90	0,88	6,2	5,0	-
100 [4"]	100	203	156	119	264	305	365	G 1/4"	107	1,80	11,4	7,3	-
125 [5"]	120	252	184	155	330	390	-	G 1/4"	130	2,7	25,7	-	-
150 [6"]	150	301	257	183	406	466	-	G 1/4"	155	6,95	36,7	-	-

<sup>1</sup> Volume = Control volume with closed sleeve

Technical details subject to change without notice.



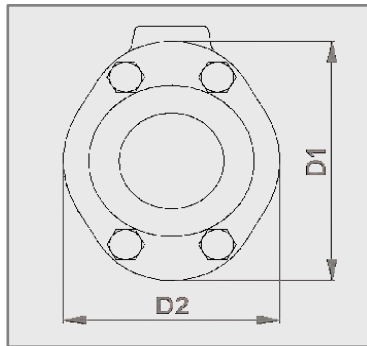
**Basecamp Process Components, LLC**

7685-A Corporate Blvd., Plain City, Ohio 43064, USA

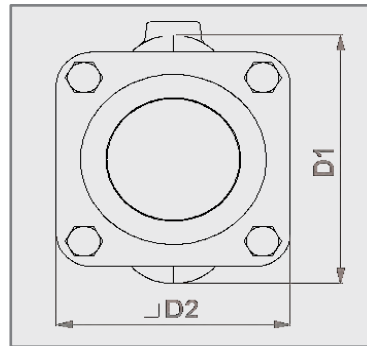
T: +1 614-873-8995 • E-mail: [info@akopinervalves.com](mailto:info@akopinervalves.com) • Web: [www.akopinervalves.com](http://www.akopinervalves.com)



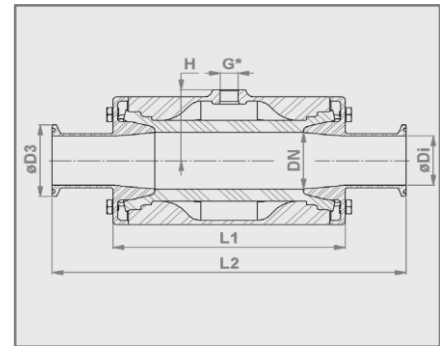
## Air operated Pinch Valve - Tri-Clamp connection (TA)



DN10 - DN50



DN65 - DN100




\* DIN EN ISO 228 "G"

### Connection type:

Tri-Clamp according to DIN 32676 row C

### Body:

- DN10-100: Stainless steel 1.4408 (E)
- DN20-100: Aluminium AlSi10Mg (A)
- DN10-15: Plastic POM natural white (P) 
- DN10-15: Plastic POM conductive (P)



### Tri-Clamp Connection:

- DN10-100: Stainless steel 1.4404 (E)

### Valve finish:

Stainless steel: Electropolished

Satin polished (brushed) Ra 0.3 on request.  
Wetted parts = Ra 0.5

### Valve face to face length:

DN10: Acc. to DIN EN 558 row 27

DN15-50: Acc. to DIN EN 558 row 1

DN 65-80: Acc. to DIN EN 558 row 7

Aluminium: Powder coated 60-80µm RaL 9006

DN/Di (mm,[inch])	øDi (mm)	D1 (mm)	D2 (mm)	øD3 (mm)	L1 (mm)	L2 (mm)	L2 (inch)	G (inch)	H (mm)	<sup>1</sup> vol.(l) (approx.)	weight(kg) (EE)	weight (kg) (AE)	weight(kg) (PE)
10 [3/8"]	7,75	46	35	25	68	114,3	4,5	G 1/8"	23	0,03	0,5	-	0,3
15 [1/2"]	9,4	56	47	25	85	139,7	5,5	G 1/8"	28	0,05	0,8	-	0,4
20 [3/4"]	15,75	62	49	25	93	152,4	6	G 1/8"	31	0,07	1,0	0,6	-
25 [1"]	22,10	72	57	50,50	110	152,4	6	G 1/8"	36	0,09	1,5	1,0	-
40 [1 1/2"]	34,8	90	77	50,50	150	228,6	9	G 1/4"	50	0,22	2,7	1,9	-
50 [2"]	47,50	110	88	64	175	228,6	9	G 1/4"	60	0,36	4,0	2,6	-
65 [2 1/2"]	60,20	139	115	77,50	173	228,6	9	G 1/4"	73,5	0,44	4,6	3,9	-
80 [3"]	72,90	172	133	91	213	304,8	12	G 1/4"	90	0,88	6,4	5,3	-
100 [4"]	97,38	198	141	119	264	355,6	14	G 1/4"	107	1,80	9,7	7,7	-

<sup>1</sup> Volume = Control volume with closed sleeve

Technical details subject to change without notice.

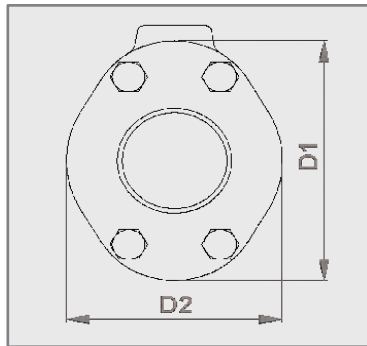


**Basecamp Process Components, LLC**

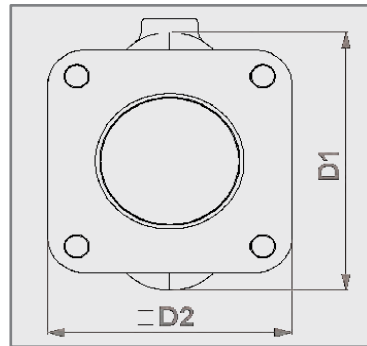
7685-A Corporate Blvd., Plain City, Ohio 43064, USA

T: +1 614-873-8995 • E-mail: [info@akopinvalves.com](mailto:info@akopinvalves.com) • Web: [www.akopinvalves.com](http://www.akopinvalves.com)

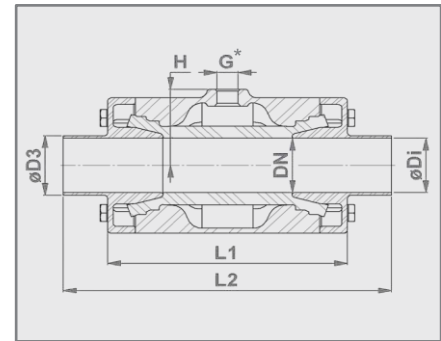
## Air operated Pinch Valve - Weld-on ends (R)



DN10 - DN50



DN65 - DN100




\* DIN EN ISO 228 "G"

### Connection type:

Weld-on ends according to DIN 11850 row 2

### Body:

- DN10-100: Stainless steel 1.4408 (E)
- DN20-100: Aluminium AlSi10Mg (A)
- DN10-15: Plastic POM natural white (P)
- DN10-15: Plastic POM conductive (P) 



### Weld-on ends:

- DN10-100: Stainless steel 1.4404 (E)

### Valve finish:

Stainless steel: Electropolished

Satin polished (brushed) Ra 0.3 on request.  
Wetted parts = Ra 0.5

Aluminium: Powder coated 60-80µm RaL 9006

### Valve face to face length:

DN 10: Acc. to DIN EN 558 row 27

DN 15-50: Acc. to DIN EN 12982 row 61

DN 65-80: Acc. to DIN EN 558 row 7

DN / Di (mm, [inch])	$\phi D1$ (mm)	D1 (mm)	D2 (mm)	$\phi D3$ (mm)	L1 (mm)	L2 (mm)	G (inch)	H (mm)	<sup>1</sup> vol. (l) (approx.)	weight (kg) (EE)	weight (kg) (AE)	weight (kg) (PE)
10 [3/8"]	10	46	35	13x1,5	68	115	G 1/8"	23	0,03	0,5	-	0,3
15 [1/2"]	16	56	47	19x1,5	85	140	G 1/8"	28	0,05	0,8	-	0,4
20 [3/4"]	20	62	49	23x1,5	93	152	G 1/8"	31	0,07	1,0	0,6	-
25 [1"]	26	72	57	29x1,5	110	165	G 1/8"	36	0,09	1,4	0,9	-
32 [1 1/4"]	32	80	66	35x1,5	130	178	G 1/4"	45	0,13	1,9	1,2	-
40 [1 1/2"]	38	90	77	41x1,5	150	190	G 1/4"	50	0,22	2,5	1,6	-
50 [2"]	50	110	88	53x1,5	175	216	G 1/4"	60	0,36	3,8	2,5	-
65 [2 1/2"]	66	139	115	70x2	173	216	G 1/4"	73,5	0,44	4,2	3,4	-
80 [3"]	81	172	133	85x2	213	254	G 1/4"	90	0,88	6,0	4,9	-
100 [4"]	100	203	156	104x2	264	305	G 1/4"	107	1,80	11,3	7,2	-
125 [5"]	125	252	184	129x2	330	356	G 1/4"	130	2,7	24,6	-	-
150 [6"]	150	301	257	154x2	406	436	G 1/4"	155	6,95	35,5	-	-

<sup>1</sup> Volume = Control volume with closed sleeve

Technical details subject to change without notice.



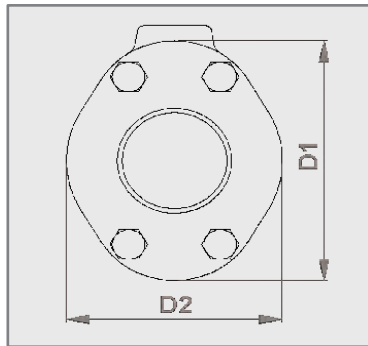
**Basecamp Process Components, LLC**

7685-A Corporate Blvd., Plain City, Ohio 43064, USA

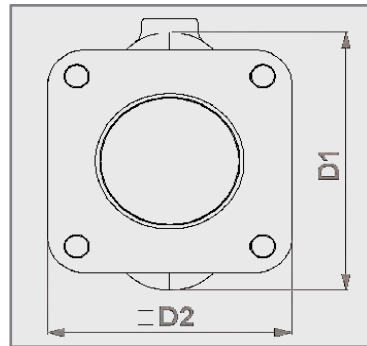
T: +1 614-873-8995 • E-mail: [info@akopinvalves.com](mailto:info@akopinvalves.com) • Web: [www.akopinvalves.com](http://www.akopinvalves.com)



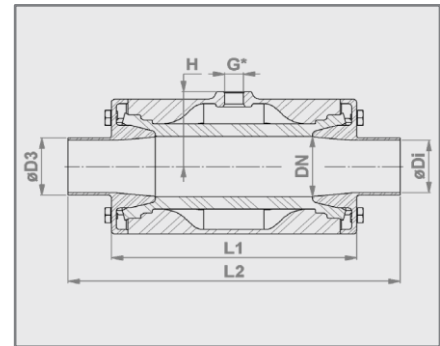
## Air operated Pinch Valve - Weld-on ends (RA)



DN10 - DN50



DN65 - DN100



\* DIN EN ISO 228 "G"

### Connection type:

Weld-on ends according to ASTM A554

### Body:

- DN10-100: Stainless steel 1.4408 (E)
- DN20-100: Aluminium AlSi10Mg (A)
- DN10-15: Plastic POM natural white (P)
- DN10-15: Plastic POM conductive (P)



### Weld-on ends:

- DN10-100: Stainless steel 1.4404 (E)



### Valve finish:

Stainless steel: Electropolished

Satin polished (brushed) Ra 0.3 on request.  
Wetted parts = Ra 0.5

Aluminium: Powder coated 60-80µm RaL 9006

### Valve face to face length:

DN 10: Acc. to DIN EN 558 row 27

DN 15-50: Acc. to DIN EN 12982 row 61

DN 65-80: Acc. to DIN EN 558 row 7

DN / Di (mm, [inch])	ØDi (mm)	D1 (mm)	D2 (mm)	ØD3 (mm)	L1 (mm)	L2 (mm)	L2 (inch)	G (inch)	H (mm)	<sup>1</sup> vol. (l) (approx.)	weight (kg) (EE)	weight (kg) (AE)	weight (kg) (PE)
10 [3/8"]	7,75	46	35	9,53	68	101,6	4	G 1/8"	23	0,03	0,5	-	0,2
15 [1/2"]	9,40	56	47	12,70	85	127,0	5	G 1/8"	28	0,05	0,8	-	0,4
20 [3/4"]	15,75	62	49	19,05	93	152,4	6	G 1/8"	31	0,07	1,0	0,6	-
25 [1"]	22,10	72	57	25,40	110	152,4	6	G 1/8"	36	0,09	1,5	0,9	-
40 [1 1/2"]	34,80	90	77	38,10	150	203,2	8	G 1/4"	50	0,22	2,6	1,7	-
50 [2"]	47,50	110	88	50,80	175	228,6	9	G 1/4"	60	0,36	3,9	2,5	-
65 [2 1/2"]	60,20	139	115	63,50	173	228,6	9	G 1/4"	73,5	0,44	4,3	3,5	-
80 [3"]	72,90	172	133	76,20	213	279,4	11	G 1/4"	90	0,88	6,2	5,1	-
100 [4"]	97,38	198	141	101,60	264	330,2	13	G 1/4"	107	1,80	9,6	7,5	-

<sup>1</sup> Volume = Control volume with closed sleeve

Technical details subject to change without notice.

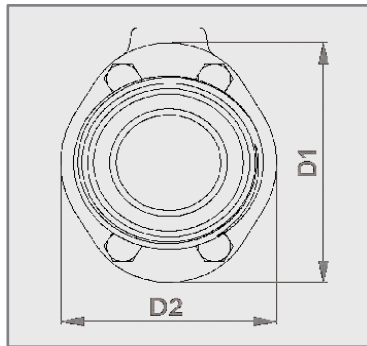


**Basecamp Process Components, LLC**

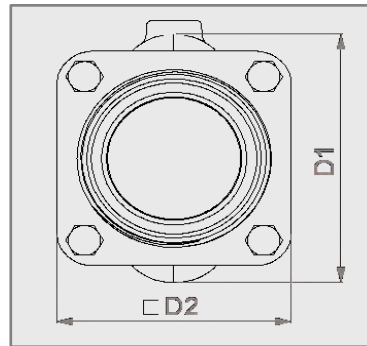
7685-A Corporate Blvd., Plain City, Ohio 43064, USA

T: +1 614-873-8995 • E-mail: [info@akopinvalves.com](mailto:info@akopinvalves.com) • Web: [www.akopinvalves.com](http://www.akopinvalves.com)

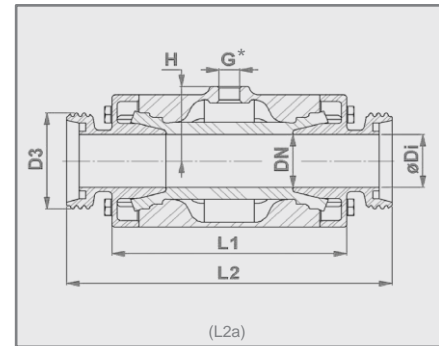
## Air operated Pinch Valve - Threaded spigot (M)



DN10 - DN50



DN65 - DN100




\* DIN EN ISO 228 "G"

### Connection type:

Threaded spigot according to DIN 11851,  
DIN 11853-1 (GS) / 11864-1 form A (GS) (L2a) on request.

### Body:

- DN10-100: Stainless steel 1.4408 (E)
- DN20-100: Aluminium AlSi10Mg (A)
- DN10-15: Plastic POM natural white (P)
- DN10-15: Plastic POM conductive (P) 



### Threaded spigot:

- DN10-100: Stainless steel 1.4404 (E)

### Valve finish:

Stainless steel: Electropolished  
Satin polished (brushed) Ra 0.3 on request.  
Wetted parts = Ra 0.5

Aluminium: Powder coated 60-80µm RaL 9006

### Valve face to face length:

DN 10: Acc. to DIN EN 558 row 27  
DN 15-50: Acc. to DIN EN 558 row 1

DN / Di (mm, [inch])	øDi (mm)	D1 (mm)	D2 (mm)	D3	G (inch)	H (mm)	L1 (mm)	L2 (mm)	L2a (mm)	<sup>1</sup> vol. (l) (approx.)	weight (kg) (EE)	weight (kg) (AE)	weight (kg) (PE)
10 [3/8"]	10	46	35	Rd28x1/8"	G 1/8"	23	68	115	153	0,03	0,5	-	0,3
15 [1/2"]	16	56	47	Rd34x1/8"	G 1/8"	28	85	130	178	0,05	0,9	-	0,4
20 [3/4"]	20	62	49	Rd44x1/6"	G 1/8"	31	93	150	194	0,07	1,1	0,7	-
25 [1"]	26	72	57	Rd52x1/6"	G 1/8"	36	110	160	217	0,09	1,6	1,1	-
32 [1 1/4"]	32	80	66	Rd58x1/6"	G 1/4"	45	130	180	238	0,13	2,1	1,5	-
40 [1 1/2"]	38	90	77	Rd65x1/6"	G 1/4"	50	150	200	252	0,22	2,8	1,9	-
50 [2"]	50	110	88	Rd78x1/6"	G 1/4"	60	175	230	278	0,36	4,2	2,9	-
65 [2 1/2"]	66	139	115	Rd95x1/6"	G 1/4"	73,5	173	296	288	0,44	4,9	4,1	-
80 [3"]	81	172	133	Rd110x1/4"	G 1/4"	90	213	344	338	0,88	7,0	5,9	-
100 [4"]	100	198	141	Rd130x1/4"	G 1/4"	107	264	413	405	1,80	10,6	8,5	-

<sup>1</sup> Volume = Control volume with closed sleeve

Technical details subject to change without notice.



**Basecamp Process Components, LLC**

7685-A Corporate Blvd., Plain City, Ohio 43064, USA

T: +1 614-873-8995 • E-mail: [info@akopinervalves.com](mailto:info@akopinervalves.com) • Web: [www.akopinervalves.com](http://www.akopinervalves.com)